

**DRAINAGE PLAN**  
SCALE 1:200

NASTASI & ASSOCIATES CONSULTING CIVIL & STRUCTURAL ENGINEERS				
Project	Residential development			
Site address	[REDACTED]			
Job No	19842			
Phone	(02) 9607 2864			
Catchment	Hill Shire Council - 5% slope			
Site area	0.0365	ha	(A)	SSR 396 m <sup>3</sup> /ha
Basic storage Volume	14.46	m <sup>3</sup>	(B)	PSD 92 L/s/ha
Basic discharge	3.36	L/s	(C)	
Site draining to storage	0.0312	ha	(D)	
Percentage of side	85.5	%	(E)	
Storage/hectare of contributing area	463.01	m <sup>3</sup> /ha	(F)	
Adjust PSD	82	L/s/ha	(G)	
PSD for site	2.57	L/s	(H)	
Max head to orifice centre	0.80	m	(K)	
Diameter of orifice	0.037	m	(J)	
Maximum discharge	2.57	L/s	(L)	
Head for high early discharge	0.70	m	(M)	
HED	2.41	L/s	(N)	
HED %	93.5	%	(P)	
Mean discharge	2.49	L/s	(Q)	
Average Discharge per hectare	79.7	L/s/ha	(R)	
SSR	474	m <sup>3</sup> /ha	(S)	
Final SSR	14.81	m <sup>3</sup>		
Total volume provided	15.98	m <sup>3</sup>	108%	

NASTASI & ASSOCIATES CONSULTING CIVIL & STRUCTURAL ENGINEERS				
Project	Residential development			
Site address	[REDACTED]			
Job No	19842			
Phone	(02) 9607 2864			
Catchment	Hill Shire Council - 5% slope			
Site area	0.0375	ha	(A)	SSR 396 m <sup>3</sup> /ha
Basic storage Volume	14.85	m <sup>3</sup>	(B)	PSD 92 L/s/ha
Basic discharge	3.45	L/s	(C)	
Site draining to storage	0.0375	ha	(D)	
Percentage of side	100.0	%	(E)	
Storage/hectare of contributing area	396.00	m <sup>3</sup> /ha	(F)	
Adjust PSD	102	L/s/ha	(G)	
PSD for site	3.83	L/s	(H)	
Max head to orifice centre	0.80	m	(K)	
Diameter of orifice	0.045	m	(J)	
Maximum discharge	3.83	L/s	(L)	
Head for high early discharge	0.70	m	(M)	
HED	3.58	L/s	(N)	
HED %	93.5	%	(P)	
Mean discharge	3.70	L/s	(Q)	
Average Discharge per hectare	98.8	L/s/ha	(R)	
SSR	406	m <sup>3</sup> /ha	(S)	
Final SSR	15.21	m <sup>3</sup>		
Total volume provided	16.47	m <sup>3</sup>	108%	

DISCIPLINE	DRAWING TITLE AND NUMBER	DATE	REV.	DRAWING TITLE AND NUMBER	DATE	REV.
ARCH.						
STRUCT.						
MECH.						
ELEC.						
HYD.						

**GENERAL NOTES:**  
 \* THIS DRAWING IS THE COPYRIGHT OF NASTASI & ASSOCIATES CONSULTING CIVIL & STRUCTURAL ENGINEERS. Unit 5.1-3 Whyalla Place, Prestons, 2170. PO Box 6048, Hammondville, NSW, 2170.  
 \* IT IS NOT ALLOWED TO COPY OR REPRODUCE ITS CONTENTS IN ANY FORM EXCEPT FOR THE PURPOSE WHICH IT IS INTENDED WITHOUT THE ABOVE CONSULTANT'S AUTHORITY.  
 \* DO NOT SCALE THIS DRAWING. ONLY STATED DIMENSIONS ARE TO BE CONSIDERED.  
 \* CONTRACTOR TO VERIFY THE DETAIL / INFORMATION GIVEN IN THIS DRAWING. ANY DISCREPANCIES SHALL BE BROUGHT TO ENGINEERS ATTENTION PRIOR TO COMMENCEMENT OF WORK. FAILURE TO COMPLY WITH THE ABOVE WILL BE CONTRACTORS LIABILITY.

**NASTASI & ASSOCIATES**  
 CONSULTING CIVIL & STRUCTURAL ENGINEERS  
 B.E., M.I.E. AUST. CPENG NPER-3  
 ABN 45 533 226 008  
 UNIT 5.1-3 WHYALLA PLACE, PRESTONS NSW 2170  
 PH: (02) 9607 2864 OR (02) 9749 9517 FAX: (02) 9751 2081  
 MOB: 0419 041 401

QUALITY CONTROL	DESIGNED	DATE	APPROVED:	CLIENT:	ADDRESS:	DRAWING STATUS
CHECKED	DATE		ARCHITECT:	TITLE:	SCALE ( AT ORIGINAL SIZE)	AS NOTED
				DRAINAGE PLAN	PROJECT NO.	DRAWING NO. C2
					REVISION NO.	

ISSUE FOR APPROVAL



1 2 3 4 5 6 7 8

F F

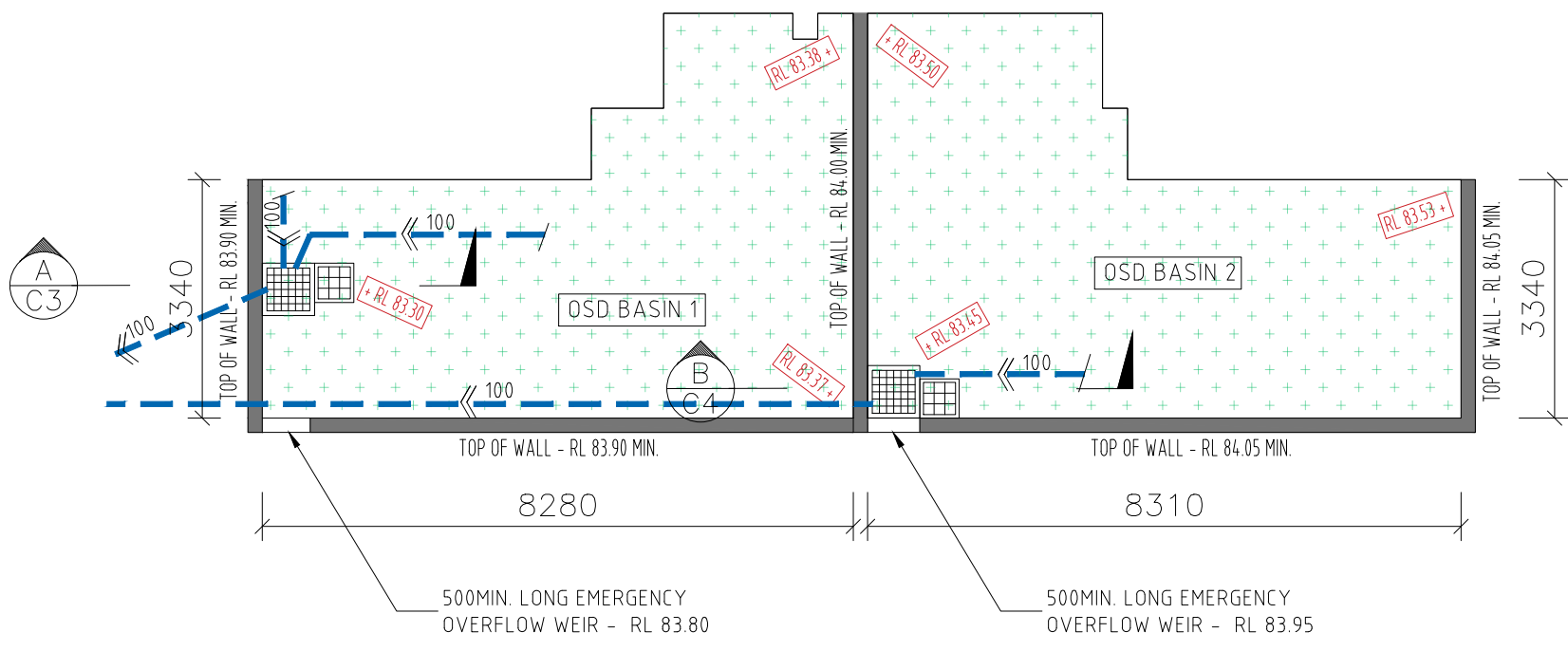
E E

D D

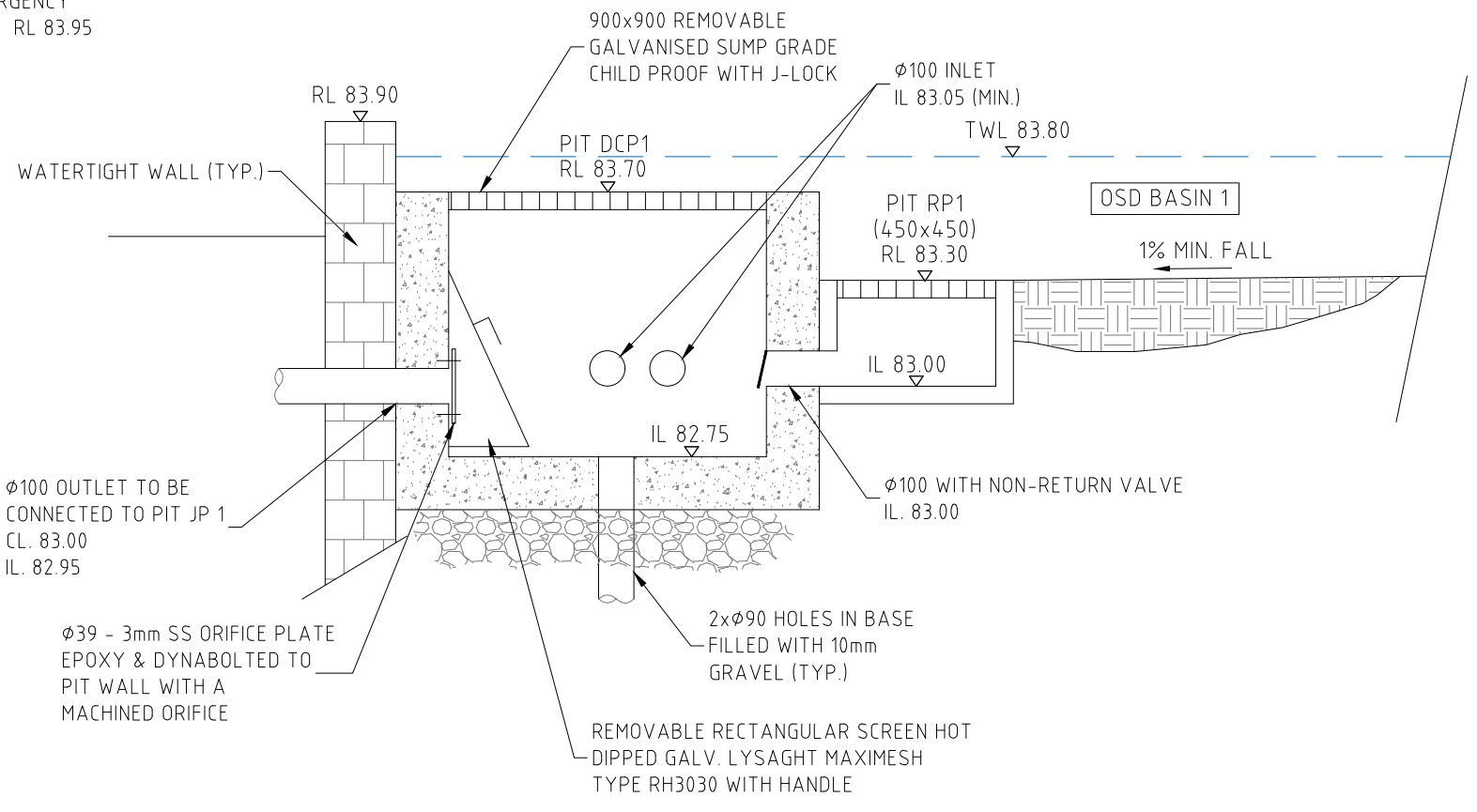
C C

B B

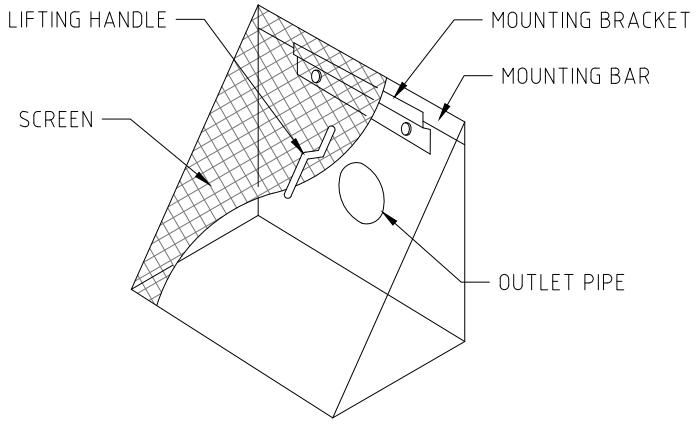
A A



OSD SYSTEM PLAN  
SCALE 1:100



OSD BASIN 1 SYSTEM - SECTION A  
SCALE 1:20



DEBRIS SCREEN DETAILS  
SCALE 1:20

ISSUE FOR APPROVAL

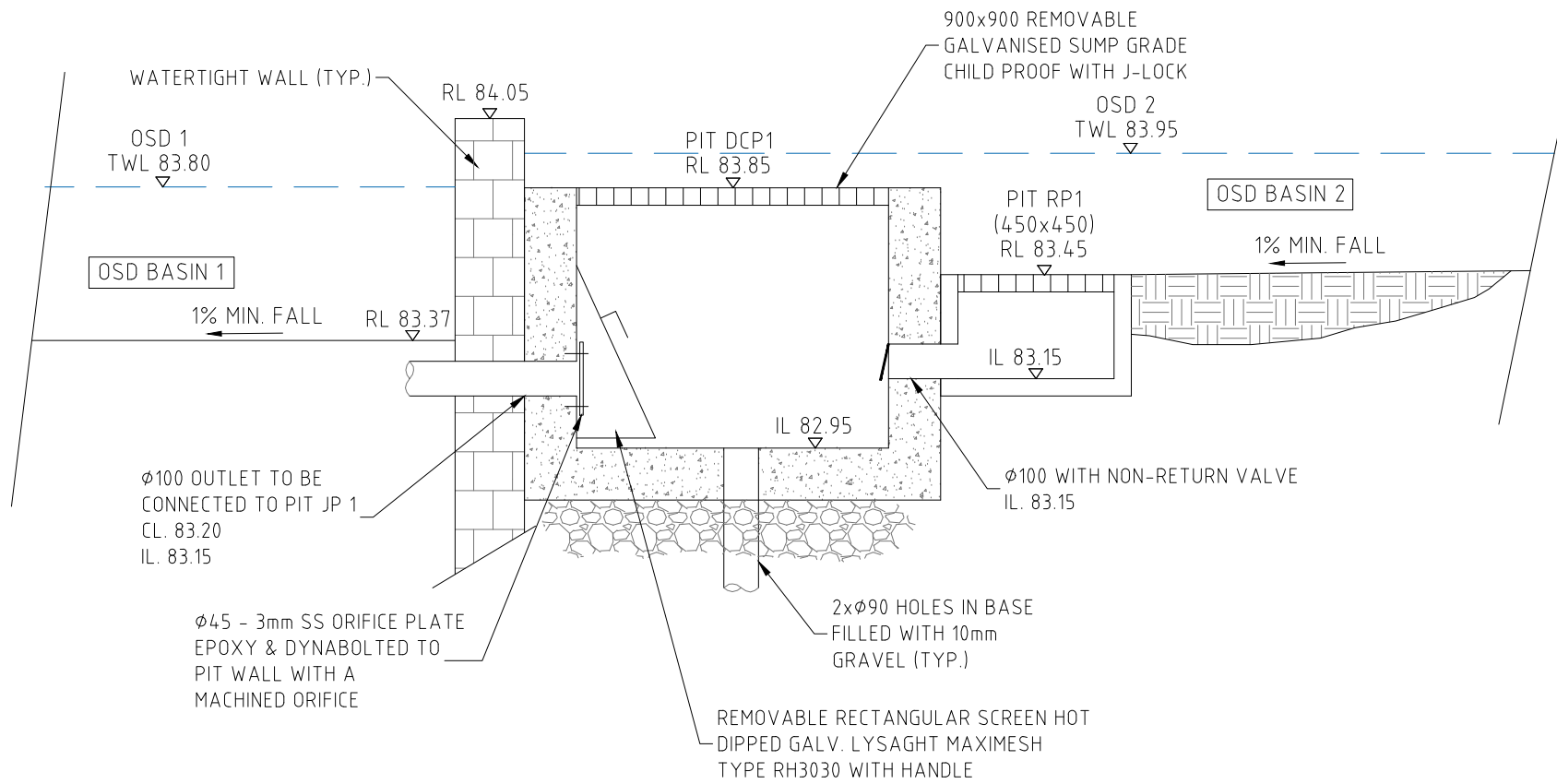


DISCIPLINE		DRAWING TITLE AND NUMBER		DATE	REV.	DRAWING TITLE AND NUMBER		DATE	REV.
ARCH.									
STRUCT.									
MECH.									
ELEC.									
HYD.									

**NASTASI & ASSOCIATES**  
CONSULTING CIVIL & STRUCTURAL ENGINEERS  
B.E., M.I.E. AUST. CPENG NPER-3  
UNIT 5, 1-3 WHYALLA PLACE, PRESTONS NSW 2170  
PH: (02) 9607 2864 OR (02) 9708 9017 FAX: (02) 9751 2081  
MOB: 0419 041 401

QUALITY CONTROL DESIGNED DATE	APPROVED:	CLIENT:	ADDRESS:	DRAWING STATUS
CHECKED DATE		ARCHITECT:	TITLE: OSD TANK 1 PLAN & DETAILS	SCALE ( AT ORIGINAL SIZE) AS NOTED
				PROJECT NO. DRAWING NO. REVISION NO. C3

a3 1 2 3 4 5 6 7 8



**OSD BASIN 2 SYSTEM - SECTION B**  
SCALE 1:20

THIS IS AN  
**ON-SITE STORMWATER  
DETENTION SYSTEM**  
REQUIRED BY YOUR LOCAL COUNCIL

IT IS AN OFFENCE TO REDUCE THE VOLUME OF THE TANK OR BASIN OR TO INTERFERE WITH THE ORIFICE PLATE THAT CONTROLS THE OUTFLOW

THE BASE OF THE OUTLET CONTROL PIT AND THE DEBRIS SCREEN MUST BE CLEANED OF DEBRIS AND SEDIMENT ON A REGULAR BASIS BY THE OWNER

**THIS PLATE MUST NOT BE REMOVED**

**OSD SIGN**  
NTS

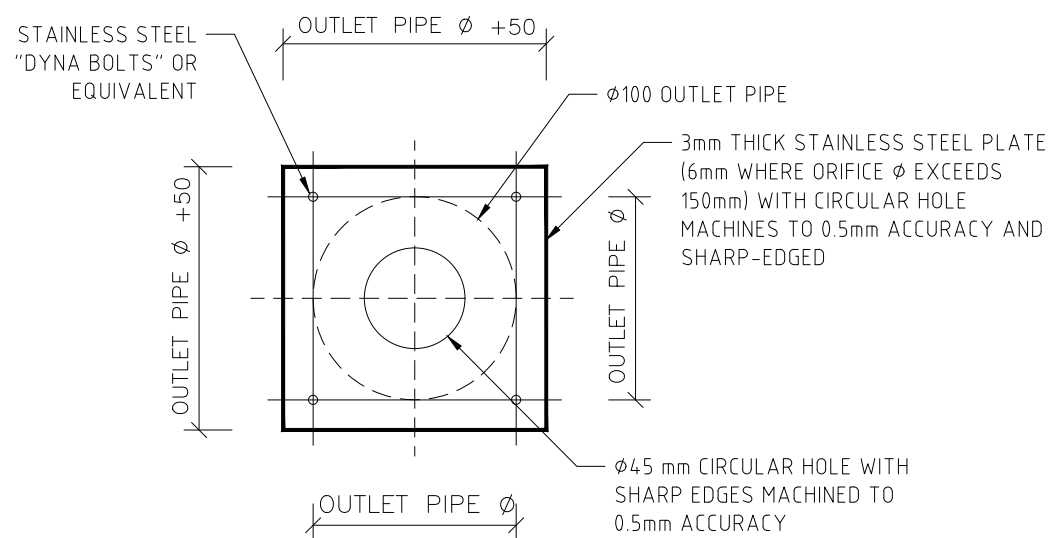


**OSD WARNING SIGN**  
NTS

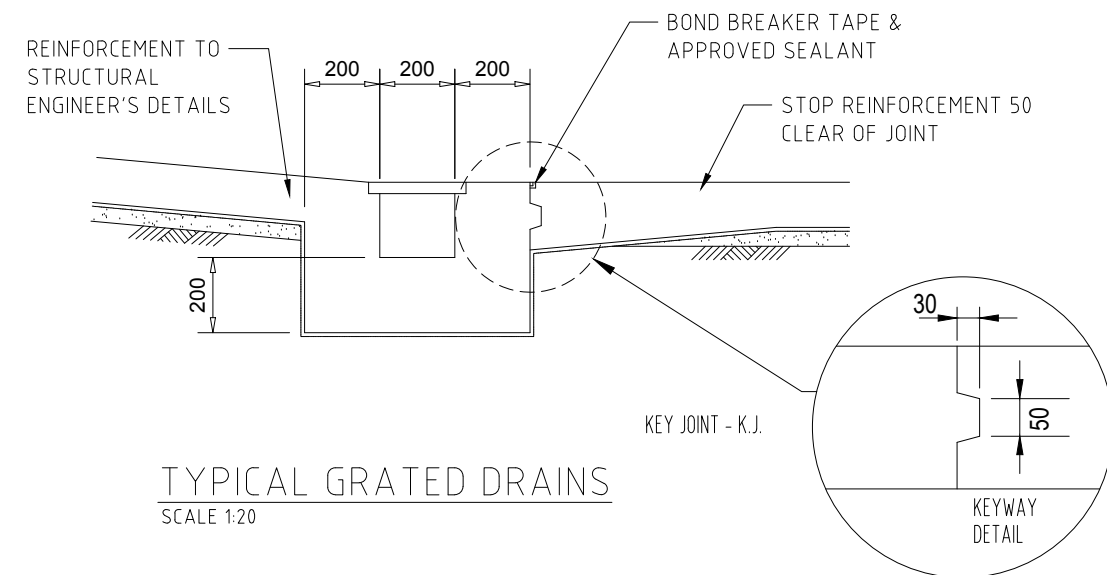
**NOTES**

ALL WALLS FORMING THE DETENTION BASIN SHALL BE CONSTRUCTED WHOLLY WITHIN THE PROPERTY BOUNDARIES OF THE SITE BEING DEVELOPED.

ANY LANDSCAPED AREAS WITHIN THE OSD BASIN ARE MULCHED WITH DECORATIVE ROCK MULCH (IE NON FLOATABLE)



**ORIFICE PLATE DETAILS**  
NTS



**TYPICAL GRATED DRAINS**  
SCALE 1:20

ISSUE FOR APPROVAL



REFERENCE COORDINATION DRAWING		GENERAL NOTES:		QUALITY CONTROL		APPROVED:		CLIENT:		ADDRESS:		DRAWING STATUS	
DISCIPLINE	DRAWING TITLE AND NUMBER	DATE	REV.	DRAWING TITLE AND NUMBER	DATE	DESIGNED	DATE	ARCHITECT:	ARCHITECT:	TITLE:	PROJECT NO.	DRAWING NO.	REVISION NO.
ARCH.						CHECKED	DATE						
STRUCT.												C4	
MECH.													
ELEC.													
HYD.													
ISSUE	REVISION	DATE											

**NASTASI & ASSOCIATES**  
CONSULTING CIVIL & STRUCTURAL ENGINEERS  
B.E., M.I.E. AUST. CPENG NPER-3  
ABN 45 533 226 008  
UNIT 5, 1-3 WHYALLA PLACE, PRESTONS NSW 2170  
PH: (02) 9607 2864 OR (02) 9708 9517 FAX: (02) 9751 2081  
MOB: 0419 041 401